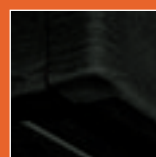
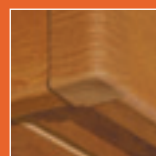
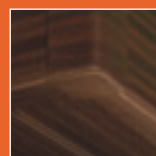
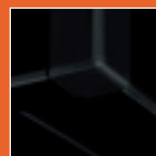
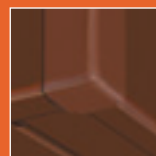


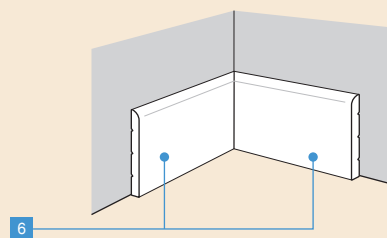
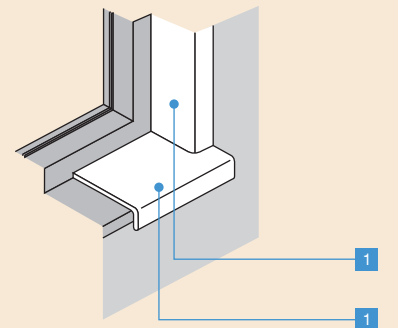
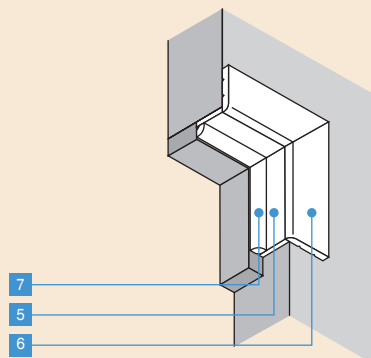
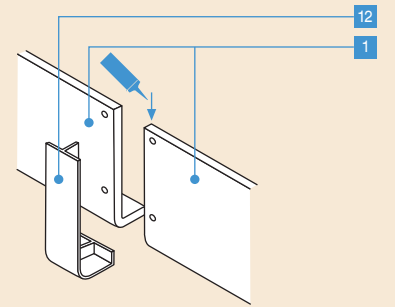
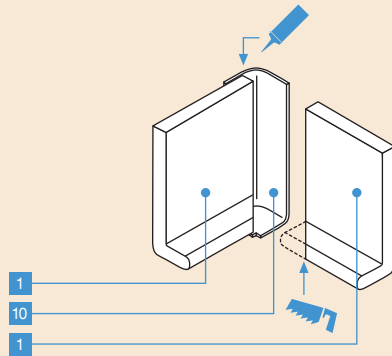
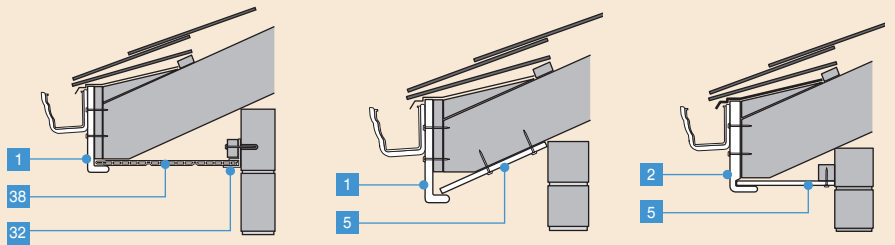
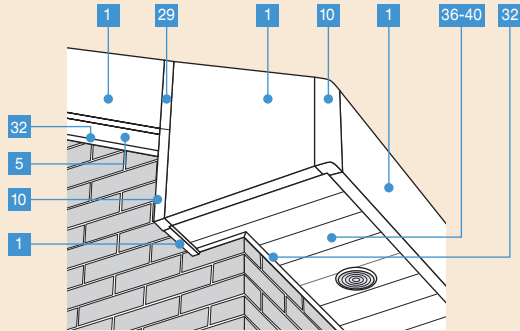
Cellular PVC-U extrusions



An integrated
maintenance-free solution



Installation details



In service maintenance
 You can use common household soaps or detergents to clean Plastivan profiles. Solvent based cleaning solutions must never be used.

Cellular extrusions

product code white brown black sand mahogany golden oak black ash

A dimensions packing

| | | | | |
|--|---|--|--|---|
| Capping Board | 1 | | | 510 150... 03 09 10 - MH GO BA 150 mm 2 x 5 m |
| | | | | 510 175... 03 09 10 - MH GO BA 175 mm 2 x 5 m |
| | | | | 510 200... 03 09 10 S MH GO BA 200 mm 2 x 5 m |
| | | | | 510 225... 03 09 - - MH GO BA 225 mm 2 x 5 m |
| | | | | 510 250... 03 09 - - - - - 250 mm 2 x 5 m |
| | | | | 510 300... 03 09 - - MH GO BA 300 mm 2 x 5 m |
| | | | | 510 400... 03 - - - - - 400 mm 2 x 5 m |
| | | | | 511 454... 03 09 - - - - - 454 mm 2 x 5 m |
| Replacement Fascia 18 mm | 2 | | | 515 150... 03 - - - - - 150 mm 2 x 5 m |
| | | | | 515 175... 03 - - - - - 175 mm 2 x 5 m |
| | | | | 515 200... 03 - - - - - 200 mm 2 x 5 m |
| | | | | 515 225... 03 - - - - - 225 mm 2 x 5 m |
| | | | | 515 250... 03 - - - - - 250 mm 2 x 5 m |
| | | | | 516 404... 03 - - - - - 404 mm 2 x 5 m |
| Ogee Capping Board | 3 | | | 525 150... 03 09 10 - - - - 150 mm 2 x 5 m |
| | | | | 525 175... 03 09 10 - - - - 175 mm 2 x 5 m |
| | | | | 525 200... 03 09 10 - - - - 200 mm 2 x 5 m |
| | | | | 525 225... 03 09 10 - - - - 225 mm 2 x 5 m |
| | | | | 525 250... 03 09 10 - - - - 250 mm 2 x 5 m |
| | | | | 526 404... 03 09 10 - - - - 404 mm 2 x 5 m |
| Rounded Capping Board | 4 | | | 517 150... 03 - - - - - 150 mm 2 x 5 m |
| | | | | 517 175... 03 - - - - - 175 mm 2 x 5 m |
| | | | | 517 200... 03 - - - - - 200 mm 2 x 5 m |
| | | | | 517 225... 03 - - - - - 225 mm 2 x 5 m |
| | | | | 517 250... 03 - - - - - 250 mm 2 x 5 m |
| | | | | 518 404... 03 - - - - - 404 mm 2 x 5 m |
| Multi-purpose Board | 5 | | | 521 100... 03 - - - - - 100 mm 2 x 5 m |
| | | | | 521 150... 03 - - - - - 150 mm 2 x 5 m |
| | | | | 521 200... 03 - - - - - 200 mm 2 x 5 m |
| | | | | 521 225... 03 - - - - - 225 mm 2 x 5 m |
| | | | | 521 250... 03 - - - - - 250 mm 2 x 5 m |
| | | | | 521 300... 03 - - - - - 300 mm 2 x 5 m |
| | | | | 522 404... 03 - - - - - 404 mm 2 x 5 m |
| | | | | Architraves |
| 541 065... 03 - - - - - 65 mm 10 x 5 m | | | | |
| 541 090... 03 - - - - - 90 mm 10 x 5 m | | | | |
| Quadrant | 7 | | | 542 019... 03 - - - - - 19 mm 20 x 5 m |
| D-section | 8 | | | 543 028... 03 - - - - - 28 mm 20 x 5 m |
| Edge Filet | 9 | | | 545 020... 03 - - - - - 20 mm 25 x 5 m |

03 white

09 brown

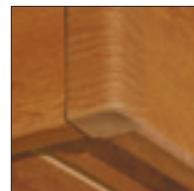
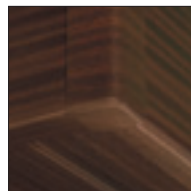
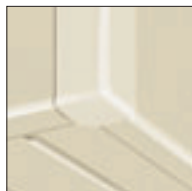
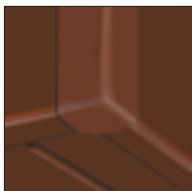
10 black

S sand

MH mahogany

GO golden oak

BA black ash

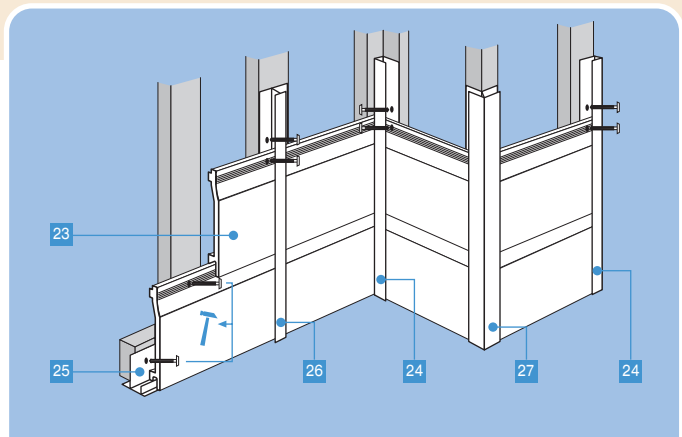


Finishing profiles and accessories

| | External | Internal | Joiner | product code | white | brown | black | sand | mahogany | golden oak | black ash | dimensions | packing |
|--|----------|----------|--------|--------------|-------|-------|-------|------|----------|------------|-----------|------------|-----------|
| Corners/Joiner for Capping Board | | | | 510BT... | 03 | 09 | 10 | S | - | - | - | 300 mm | 10 pieces |
| | | | | - | - | - | - | MH | GO | BA | 300 mm | 5 pieces | |
| | | | | 510BN... | 03 | 09 | 10 | S | - | - | - | 300 mm | 10 pieces |
| | | | | 510VB... | 03 | 09 | 10 | S | - | - | - | 300 mm | 10 pieces |
| | | | | - | - | - | - | MH | GO | BA | 300 mm | 5 pieces | |
| Corners/Joiner for Ogee Capping Board | | | | 525BT... | 03 | 09 | 10 | - | - | - | - | 300 mm | 10 pieces |
| | | | | 525BN... | 03 | 09 | 10 | - | - | - | - | 300 mm | 10 pieces |
| | | | | 525VB... | 03 | 09 | 10 | - | - | - | - | 300 mm | 10 pieces |
| Corners/Joiner for Rounded Capping Board | | | | 517BT... | 03 | - | - | - | - | - | - | 300 mm | 10 pieces |
| | | | | 517BN... | 03 | - | - | - | - | - | - | 300 mm | 10 pieces |
| | | | | 517VB... | 03 | - | - | - | - | - | - | 300 mm | 10 pieces |
| End Cap 50 mm | | | | 510ECL... | 03 | - | - | - | - | - | - | 50 mm | 25 pieces |
| | | | | 510ECR... | 03 | - | - | - | - | - | - | 50 mm | 25 pieces |
| End Cap 300 mm | | | | 510ES... | 03 | - | - | - | - | - | - | 300 mm | 25 pieces |
| End Cap 200 mm | | | | 510SLL... | 03 | - | - | - | - | - | - | 200 mm | 25 pieces |
| | | | | 510SLR... | 03 | - | - | - | - | - | - | 200 mm | 25 pieces |

Cladding and Trims

| | | | | | | | | | | | | | |
|-------------------|--|------------|----|---|---|---|---|---|---|---|---|--------|----------|
| Shiplap Cladding | | 523 150... | 03 | - | - | - | - | - | - | - | - | 150 mm | 5 x 5 m |
| Universal Channel | | 524100... | 03 | - | - | - | - | - | - | - | - | 18 mm | 10 x 5 m |
| Starter Trim | | 524200... | 03 | - | - | - | - | - | - | - | - | | 10 x 5 m |
| Centre Trim | | 524300... | 03 | - | - | - | - | - | - | - | - | 18 mm | 5 x 5 m |
| External Corner | | 524400... | 03 | - | - | - | - | - | - | - | - | 18 mm | 5 x 5 m |



| | |
|--|--|
| | Use a saw with fine-toothed blade to cut |
| | Use conventional carpentry tools |
| | PVC glue can be used to fix certain profiles |



Hollow soffit and Trims

product code white brown black sand mahogany golden oak black ash **A** dimensions packing

| | | | | | | | | | | | | |
|----------------------|----|--|-----------|----|----|----|---|----|----|--------|---------------------|------------------------|
| Start and Edge Trim | 28 | | 09... | 03 | 09 | 10 | - | MH | GO | BA | 22 mm | 20 x 5 m |
| | | | | - | - | - | S | - | - | - | 22 mm | 20 x 6 m |
| Joiner Trim | 29 | | 10... | 03 | 09 | 10 | - | - | - | - | 28 mm | 20 x 5 m |
| | | | | - | - | - | S | - | - | - | 28 mm | 20 x 6 m |
| Flexi Angle | 30 | | 17... | 03 | 09 | - | - | - | - | - | 70 mm | 20 x 6 m |
| F-sections | 31 | | 6... | 03 | - | - | - | - | - | - | 32 mm | 20 x 6 m |
| | | | 20... | 03 | - | - | - | - | - | - | 62 mm | 20 x 6 m |
| | | | 27... | 03 | - | - | - | - | - | - | 77 mm | 20 x 6 m |
| Angles | 34 | | 110... | 03 | - | - | - | - | - | - | 10 x 10 x 1 mm | 25 x 2,75 m / 10 x 6 m |
| | | | 115... | 03 | - | - | - | - | - | - | 15 x 15 x 1 mm | 25 x 2,75 m / 10 x 6 m |
| | | | 120... | 03 | - | - | - | - | - | - | 20 x 20 x 1 mm | 25 x 2,75 m / 10 x 6 m |
| | | | 125... | 03 | - | - | - | - | - | - | 25 x 25 x 1 mm | 25 x 2,75 m / 10 x 6 m |
| | | | 130... | 03 | - | - | - | - | - | - | 30 x 30 x 1,1 mm | 25 x 2,75 m / 10 x 6 m |
| | | | 135... | 03 | - | - | - | - | - | - | 35 x 35 x 1,1 mm | 25 x 2,75 m / 10 x 6 m |
| | | | 140... | 03 | - | - | - | - | - | - | 40 x 40 x 1,2 mm | 25 x 2,75 m / 10 x 6 m |
| | | | 150... | 03 | - | - | - | - | - | - | 50 x 50 x 1,5 mm | 25 x 2,75 m / 10 x 6 m |
| Ventilation profile | 35 | | 63... | 03 | 09 | - | - | - | - | 80 mm | 5 x 5 m | |
| Hollow soffit 100 mm | 36 | | 55... | 03 | - | - | - | - | - | 100 mm | 10 x 6 m / 10 x 5 m | |
| Hollow soffit 250 mm | 37 | | 26... | 03 | - | - | - | - | - | 250 mm | 6 x 5 m | |
| Hollow soffit 250 mm | 38 | | 33... | 03 | - | - | S | - | - | 250 mm | 6 x 6 m | |
| Hollow soffit 300 mm | 39 | | 45... | 03 | 09 | 10 | - | MH | GO | BA | 300 mm | 4 x 5 m |
| Hollow soffit 400 mm | 40 | | 44... | 03 | - | - | - | - | - | - | 400 mm | 4 x 5 m |
| Angle 100 x 80 mm | 41 | | 46... | 03 | - | - | - | - | - | - | 100 x 80 mm | 5 x 5 m |
| Polytop Nails | 42 | | 544 30... | 03 | 09 | CA | | | | | 30 mm | 250 pieces |
| | | | 544 40... | 03 | 09 | CA | | | | | 40 mm | 250 pieces |
| | | | 544 50... | 03 | 09 | CA | | | | | 50 mm | 100 pieces |
| | | | 544 65... | 03 | - | - | | | | | 65 mm | 100 pieces |
| | | | | | | | | | | | | |
| | | | | | | | | | | | | |

○ CA = Caramel



Wantestraat 3
B-8780 Oostrozebeke
België / Belgium
Tel. +32 (0)56 - 66 75 51
Fax +32 (0)56 - 66 91 18
info@plastivan.com
www.plastivan.com